



PROJECT PLANS

Cedar Planter Box

Hey! Free Plans!

All I'm asking is that you **SUBSCRIBE** to my **Bear Mountain Builds YouTube Channel**

Here's the link: <https://www.youtube.com/c/BearMountainBuilds/featured>

Thanks for your support!



LINK TO VIDEO:

<https://www.youtube.com/watch?v=1EKhvRxo6dU>

MATERIALS

7 - Cedar Fence Picket - 72" x 5-1/2" x 1/2"








1 - 2x2 - 1-1/2" x 1-1/2" x 96"



Also: Brad nails, indoor/outdoor glue

PART DIMENSIONS

Parts from Cedar Fence Picket

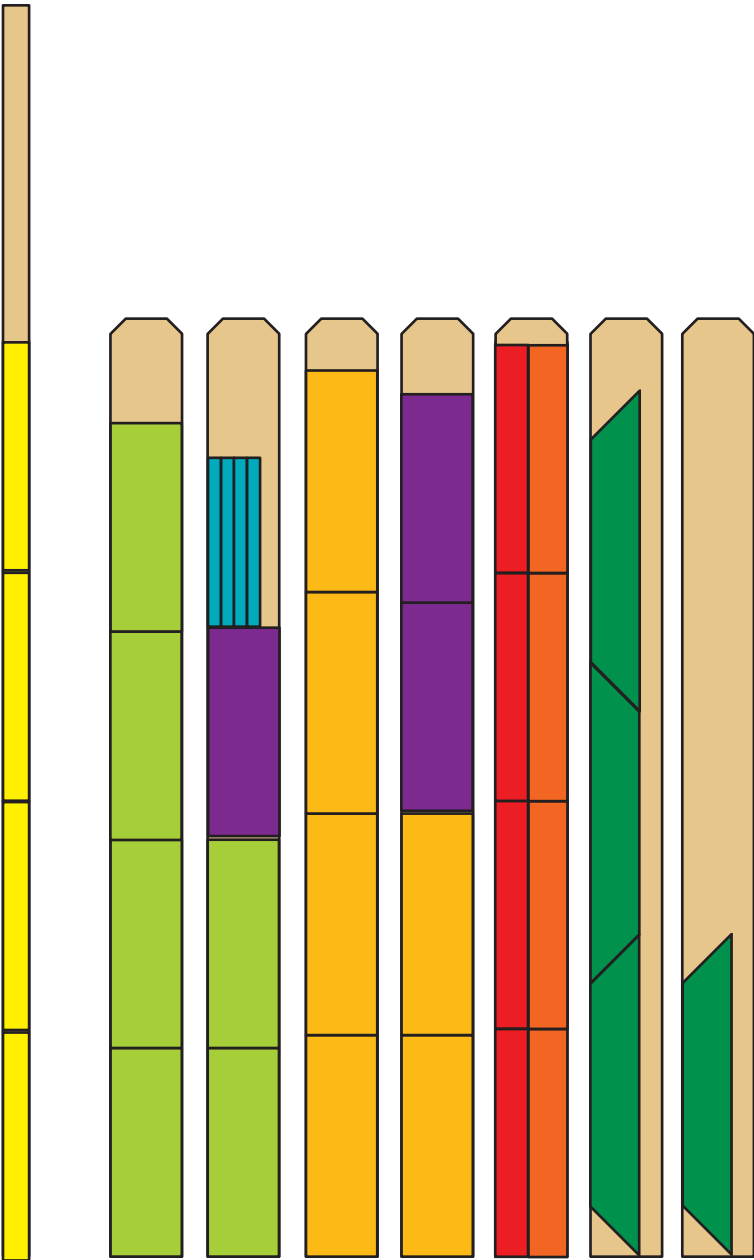
Short Side Panels		6 total - 16" x 5-1/2"
Long Side Panels		6 total - 17" x 5-1/2"
Bottom Support		4 total - 13" x 1"
Bottom Panels		3 total - 16" x 5-1/2"
Corner Cap Thin		4 total - 17-1/2" x 2-1/2"
Corner Cap Wide		4 total - 17-1/2" x 3"
Top Frame		4 total - 19-5/8" x 3-1/4"

Parts from 2x2

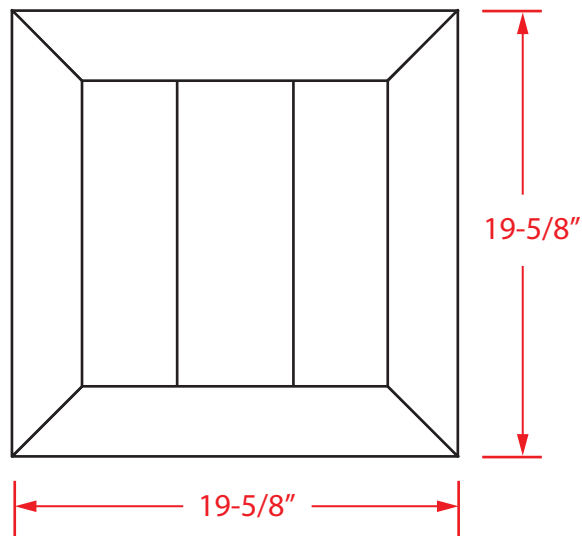
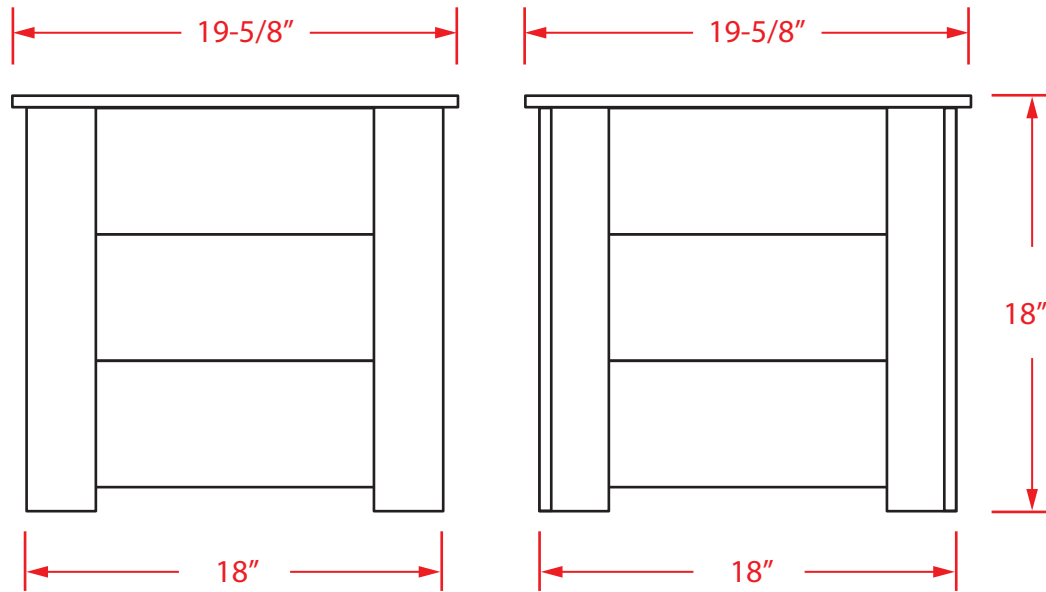
Legs		4 total - 17-1/2" x 1-1/2"
-------------	---	-----------------------------------

CUT PLAN

Cedar Fence Pickets and 2x2

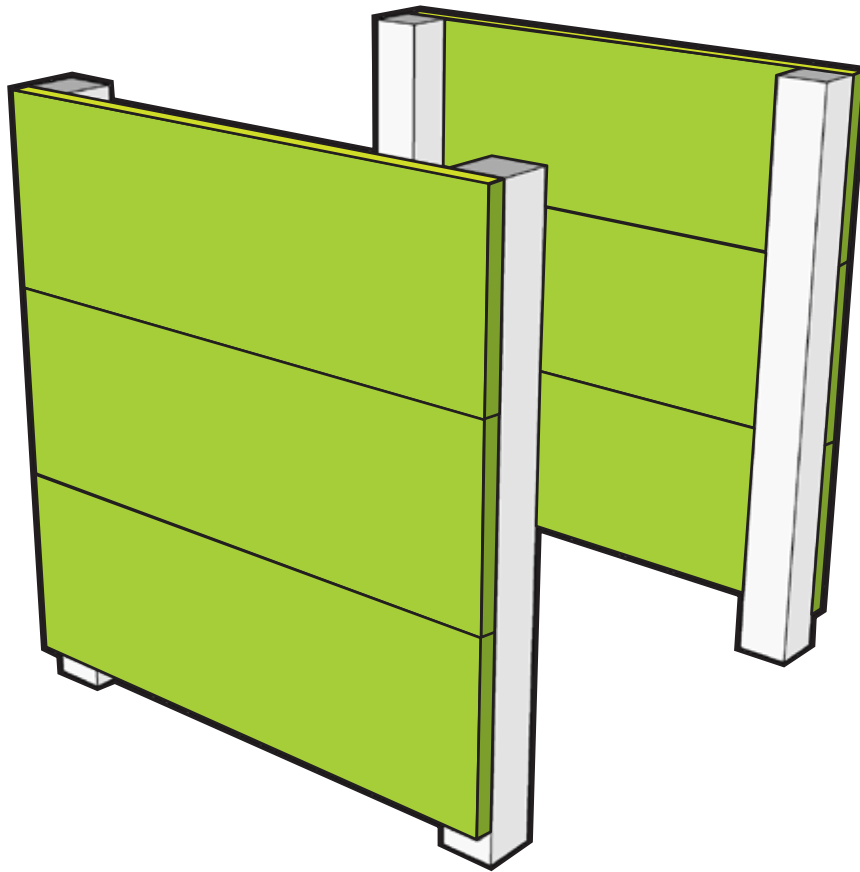


DIMENSIONS



STEP 1

ASSEMBLE SHORT BOARDS

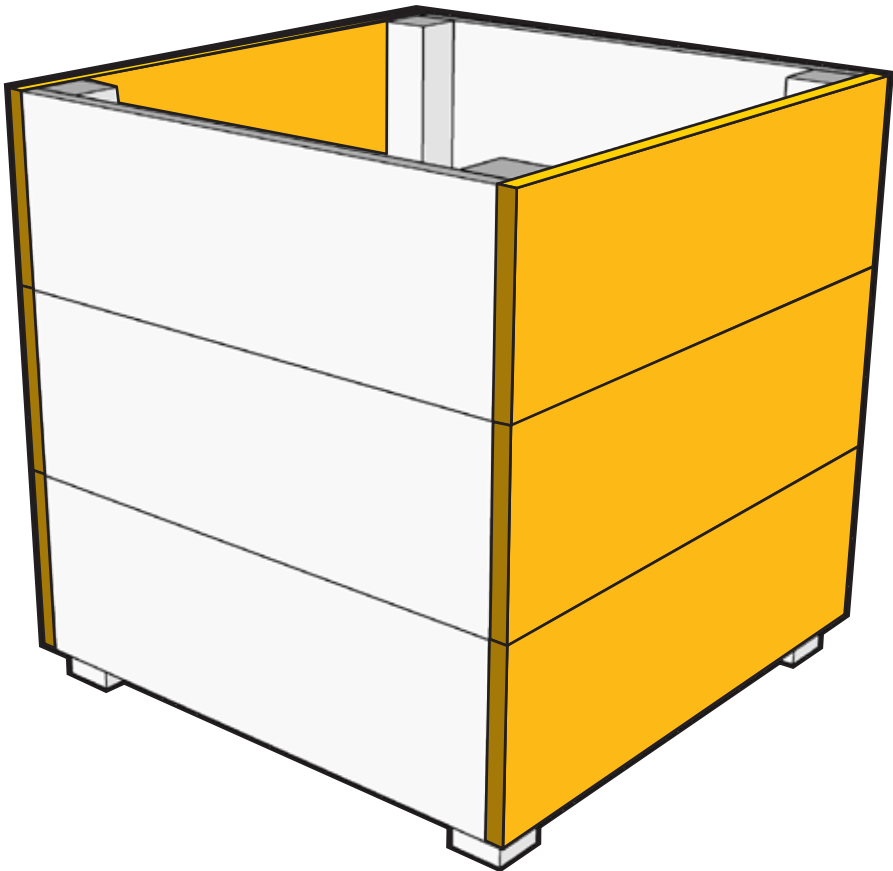


Attach the 16" cedar boards to the 2 x 2s using glue and brad nails. It's important these first two sides are square.

If you're planning on moving the planters often...consider using 1-1/2" deck screws. You'll want to pre-drill the holes to avoid splitting the wood. If so, also make sure the screw heads are flush with the surface. So the corner pieces will lay flat.

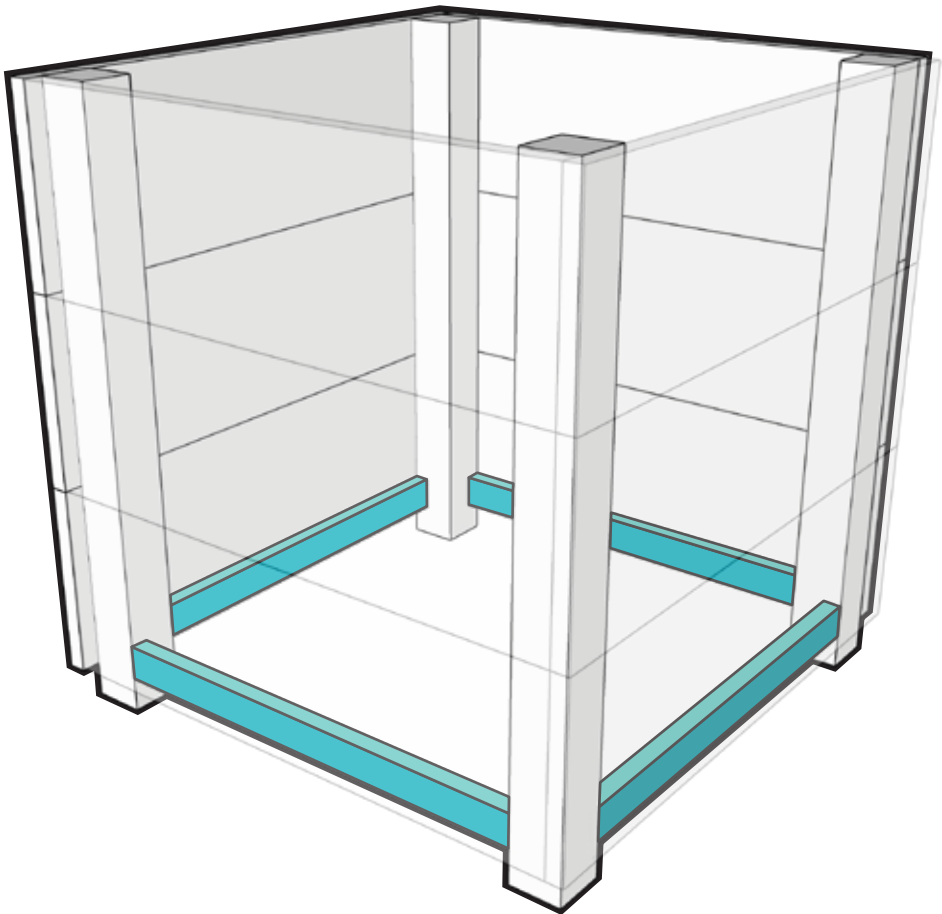
STEP 2

ASSEMBLE LONG BOARDS



STEP 3

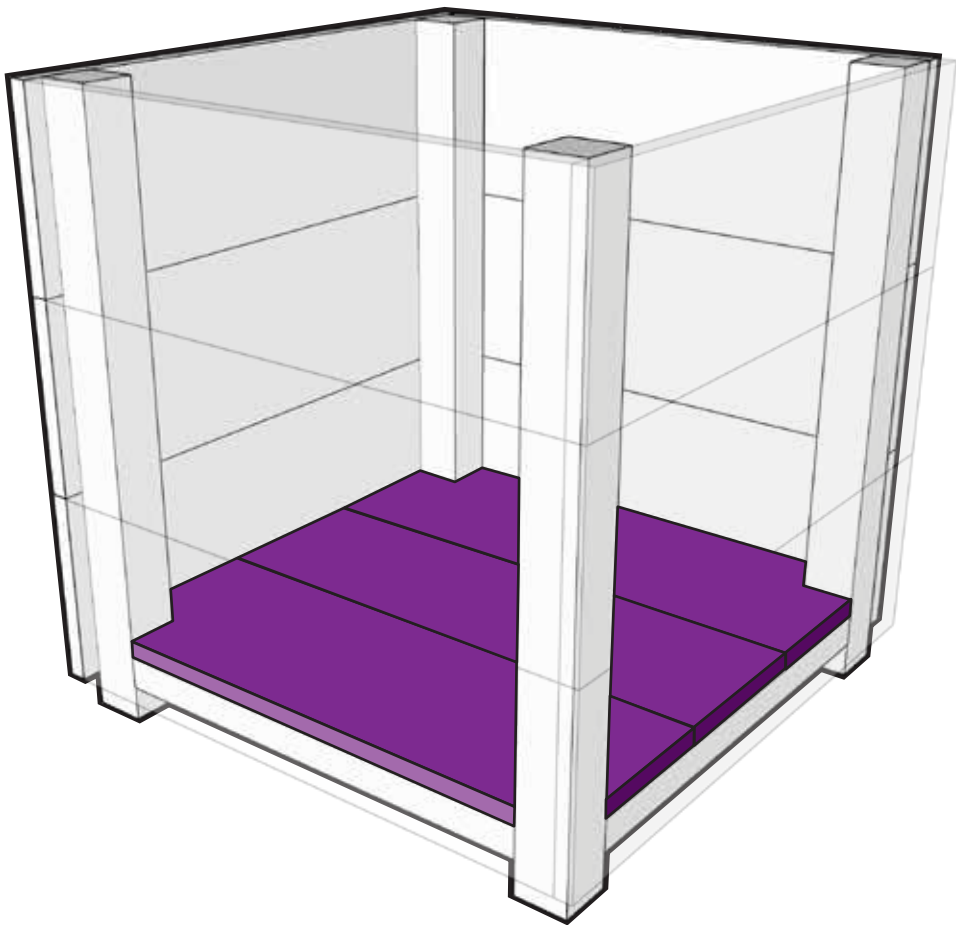
ADD BOTTOM SUPPORTS



I placed the supports at the bottom with plans for a one larger plant. You could also place the supports higher and go with a number of smaller plants.

STEP 4

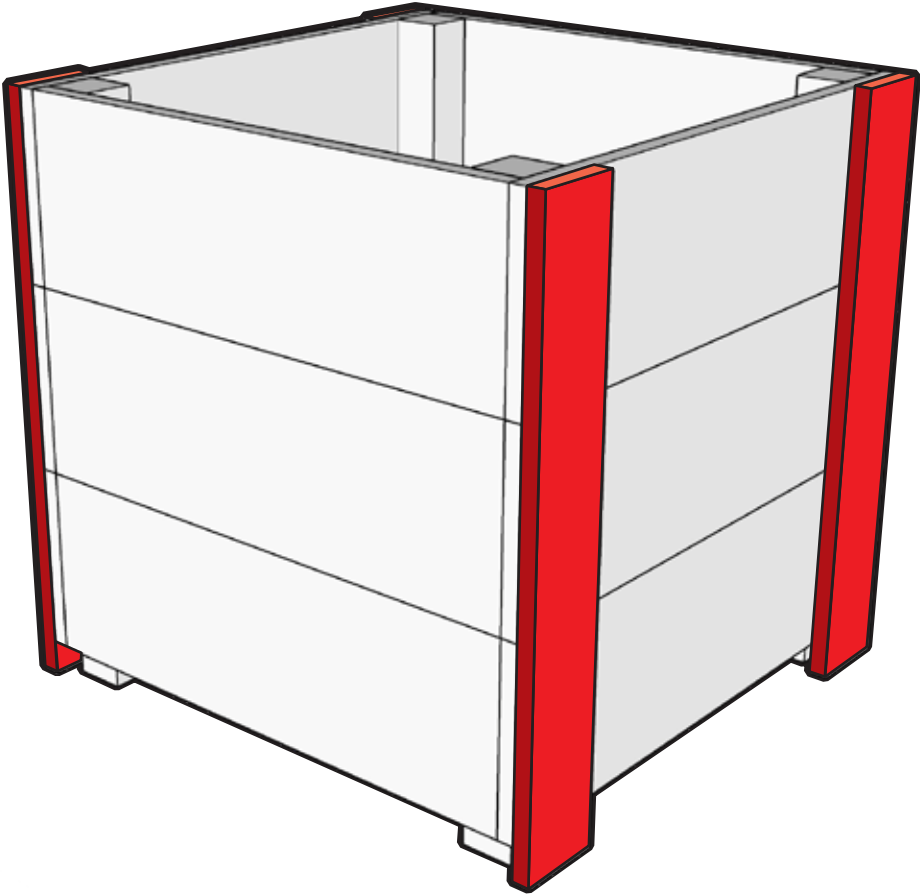
BOTTOM OF BOX



Make sure your cedar is dry when you cut the center bottom piece. If it isn't it will shrink a bit and your boards will have gaps.

STEP 5

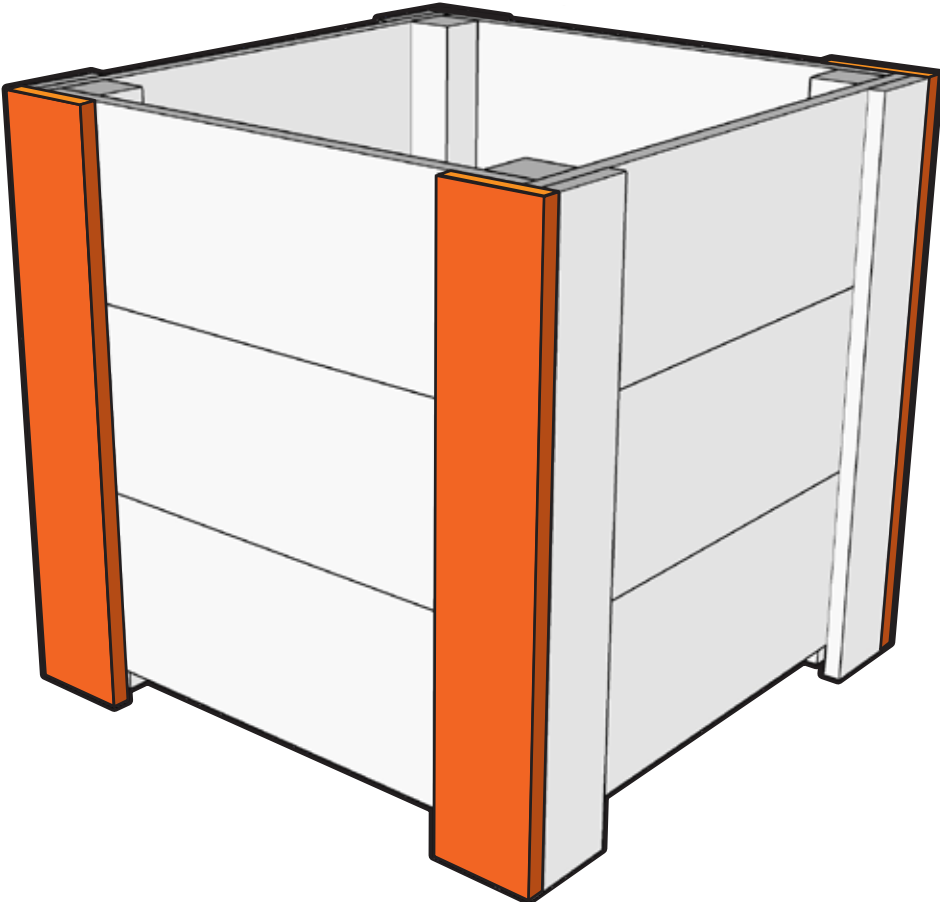
ATTACHING 2-1/2" CORNER CAP



Be generous with your glue. If you're planning on using this outside on a deck or patio, make sure you use an indoor/outdoor glue. There are lots of good choices out there.

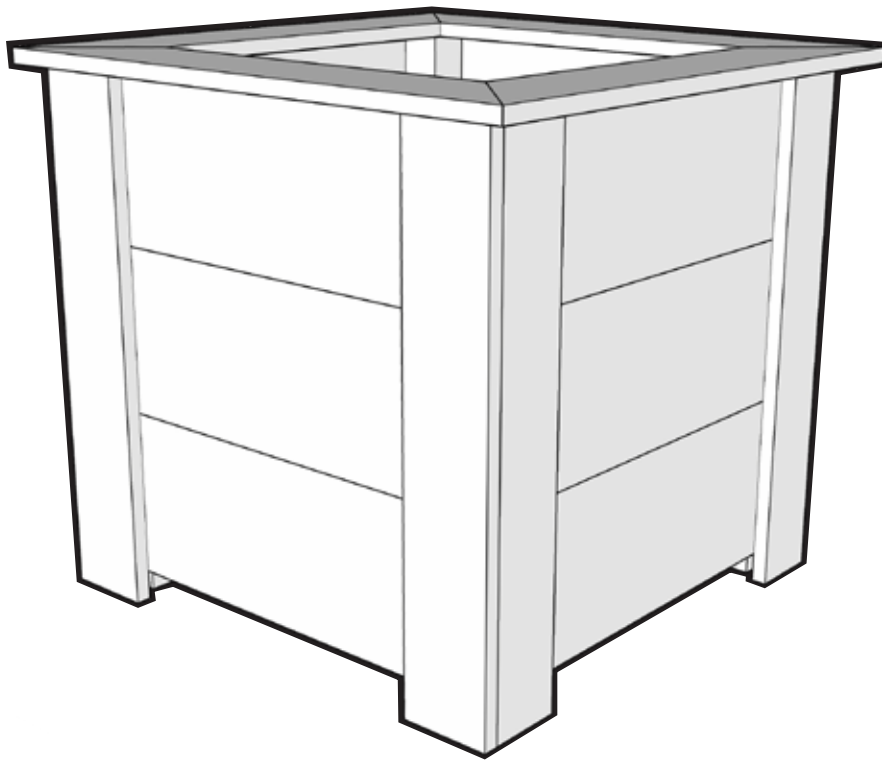
STEP 6

ATTACHING 3" CORNER CAP





YOU'RE DONE



LINK TO MORE OF MY VIDEOS:

www.bearmountainbuilds.com

LINKS TO PRODUCTS USED IN THIS VIDEO:

<https://www.youtube.com/watch?v=1EKhvRxo6dU&t=1s>